



Sensor cones and sensor cables

for CO₂ lasers

Compatible with:

Sensor cones for
Amada®
Mazak®
Mitsubishi®
Precitec®

Sensor cables for
all major brands



Centricut sensor cones and sensor cables are backed by our one year warranty and 100% satisfaction guarantee

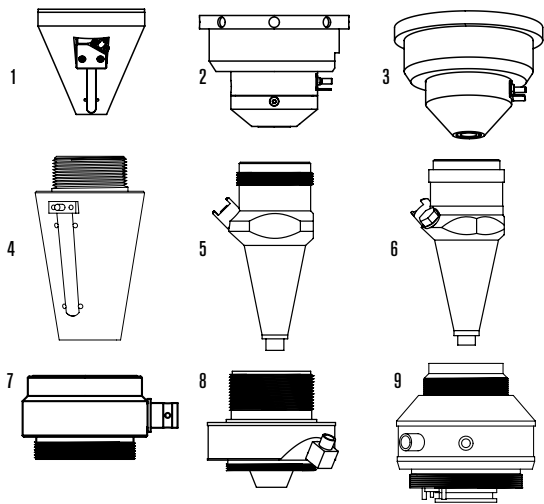
Centricut sensor cones and sensor cables provide substantial cost savings without sacrificing performance or quality.

Sensor cones

- Available for Amada, Mazak, Mitsubishi, and Precitec
- Deliver the same OEM performance at a lower cost
- Unmatched performance and reliability
- Manufactured to Hypertherm's precise quality standards

Armored sensor cables

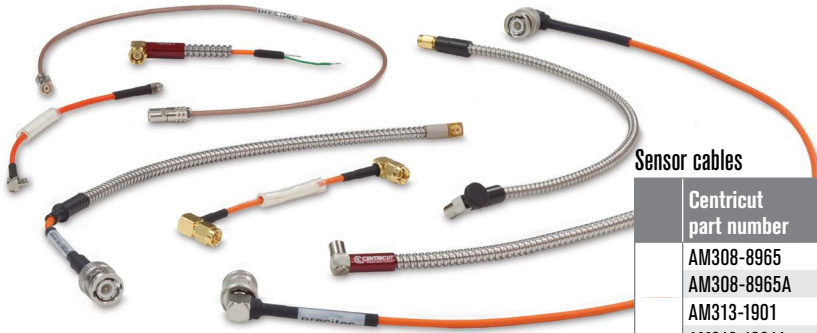
- Available for all major brands
- Robust design with extreme temperature rating 482°–649° C (900°–1200° F)
- Longer life reduces downtime and production loss
- Spatter resistant stainless steel armoring
- Reinforced collars and high quality connectors



Sensor cones

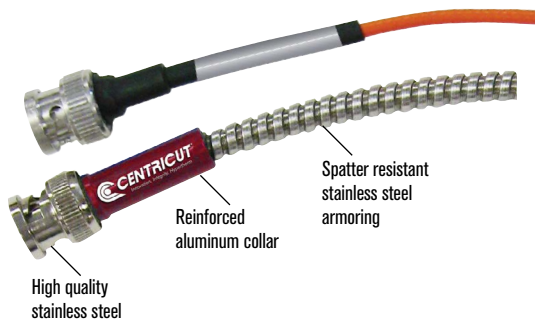
	Centricut part number	OEM	Reference number	Description
1	AM343-0091	Amada	71360091	AM-Sensor cone, HS95 mini
	AM343-1621*	Amada	71341621	AM-Sensor cone, HS95
2	AM343-9107	Amada	ECO cone	AM-Sensor cone, ECO
3	AM343-1690	Amada	71341690	AM-Sensor cone, HS98
4	AM343-L3015C	Amada	71374509	PT-Sensor cone, LC3015
5	PT347-3323	Mazak	HNP	PT-Sensor cone, HNP
	MZ335-HNPS*	Mazak	HNPS	MZ-Sensor cone, HNP short version
6	PT347-0007	Mazak	56743300500	PT-Sensor cone, HNZ (Mazak)
	PT347-0011	Mitsubishi	P0354-110-00002	PT-Sensor cone, HNZ (Mitsubishi)
7	MB334-W429A	Mitsubishi	P0461-270-00001	MB-Sensor cone, W429A
	PT347-0238*	Precitec	BQ930D238G01	PT-Sensor cone, HNZ SMA
8	PT347-8001	Precitec	P0361-203-00001	PT-Sensor cone, 2.5Z/J
	PT347-0522*	Precitec	P0599-520-00002	PT-Sensor cone, LRC
9	PT347-1145	Precitec	P0380-140-0002, P0380-130-00001, 281145	PT-Sensor cone, DZ

*not shown



Sensor cables

	Centricut part number	OEM	Reference number	Description
	AM308-8965	Amada	71398965	AM-Sensor cable, 305 mm (12")
	AM308-8965A	Amada	71398965	AM-Sensor cable, 305 mm (12") armored
	AM313-1901	Amada	71341630	AM-Sensor cable HS-5, 305 mm (12")
	AM313-1901A	Amada	71341630	AM-Sensor cable HS-5, 305 mm (12") armored
	AM313-8292	Amada	71398292	AM-Sensor cable dual shield, 7 m (275.6")
	AM313-9851A	Amada	71369851	AM-Sensor cable, 203 mm (8") armored
	CN306-0654A	Cincinnati	909654, 922686	CN-Sensor cable, 114 mm (4.5") armored
	CN306-0951A	Cincinnati	842951	CN-Sensor cable, 140 mm (5.5") armored
	CN306-2951	Cincinnati	842951, PLTTW0015	CN-Sensor cable, 140 mm (5.5")
	CN306-9654	Cincinnati	909654, 922686, PLTTW0002	CN-Sensor cable, 114 mm (4.5")
	MZ335-0111A	Mazak	4674330111	MZ-Sensor cable, 280 mm (11") armored
	MZ335-0181A	Mazak	46743300181	MZ-Sensor cable, 317.5 mm (12.5") armored
	MZ335-1330A	Mazak	46683301330	MZ-Sensor cable, 305 mm (12") armored
	MZ335-1980A	Mazak	46683301980	MZ-Sensor cable, 280 mm (11") armored
	MZ335-5320	Mazak	6143355320	MZ-Sensor cable, 61.5 mm (2.4") armored
	MZ335-630A	Mazak	00BSBA630MNC	MZ-Sensor cable, 630 mm (25") armored
	MZ335-8290	Mazak	46143308290	MZ-Sensor cable, 75 mm (3")
	NT426-1682	NTC	4R029911-001, J482D	NT-Sensor cable, 216 mm (8.5")
	NT426-4991	NTC	3-0104991	NT-Sensor cable 0-0BNC/MCX, 482 mm (19")
	NT426-7492	NTC	3-0117492	NT-Sensor cable 90BNC/90BNC, 482 mm (19")
	NT426-8677	NTC	4R028677-001	NT-Sensor cable, 508 mm (20") armored
	PR361-3150	Prima	820.63.150	PR-Sensor cable, 150 mm (5.9")
	PT347-0015A	Precitec	00B-15	PT-Sensor cable, 380 mm (15")
	PT347-0040	Precitec	00BB-A-17i, BEC004-000.4	PT-Sensor cable, 431 mm (17") armored
	PT347-0101A	Precitec	P0360-100-00500	PT-Sensor cable, 500 mm (20") armored
	PT347-0181	Precitec	46743300181	PT-Sensor cable, 305 mm (12") armored
	PT347-0250	Precitec	342475	PT-Sensor cable, 250 mm (9.8") armored
	PT347-0300A	Precitec	P0492-014-00300	PT-Sensor cable KE, 300 mm (11.8") armored
	PT347-0450	Precitec	P0497-002-00450	PT-Sensor cable, 450 mm (17.7")
	PT347-KS13	Precitec/ Gunkyo	00BMTKA-A-HS500mm	PT-Sensor cable, 390 mm (15.5") armored
	PT347-1250	Precitec	D5001-040-00250	PT-Sensor cable, 250 mm (9.8") armored
	PT348-0390	Precitec		PT-Sensor cable, 390 mm (15.4")
	TR301-0930	Trumpf	280930	TR-Sensor cable, 152 mm (6") armored
	TR301-7833	Trumpf	227833	TR-Sensor cable, 432 mm (17")
	TR301-9983	Trumpf	359983, 342474	TR-Sensor cable, 190 mm (7.5") armored



Repair service is available for most sensor cones in North America and select international regions. For more information contact CTLaser@hypertherm.com

Hypertherm and Centricut are trademarks of Hypertherm Inc. and may be registered in the United States and/or other countries. All other trademarks are the properties of their respective owners. Centricut is in no way affiliated with Amada, Cincinnati, Mazak, NTC, Mitsubishi, Precitec or Trumpf.

Environmental stewardship is one of Hypertherm's core values, and it is critical to our success and our customers' success. We are striving to reduce the environmental impact of everything we do. For more information: www.hypertherm.com/environment.

© 3/2018 Hypertherm Inc. Revision 4
893350



Hypertherm[®]
SHAPING POSSIBILITY™

